

# INTRAY

by Intech



## INTRAY Buffer Basic

100 % ELECTRICAL DENESTER WITH INTEGRATED AUTOMATIC BUFFER OF TRAYS

### Specifications

Capacity	Up to 70 trays per minute (tray depending)
Highlights	<ul style="list-style-type: none"><li>• Large buffer of trays</li><li>• From 500 -2500 mm buffer</li><li>• Hygienic denesting</li><li>• Designed for industrial cleaning</li><li>• Time saving tray change</li><li>• Basic control buttons</li></ul>

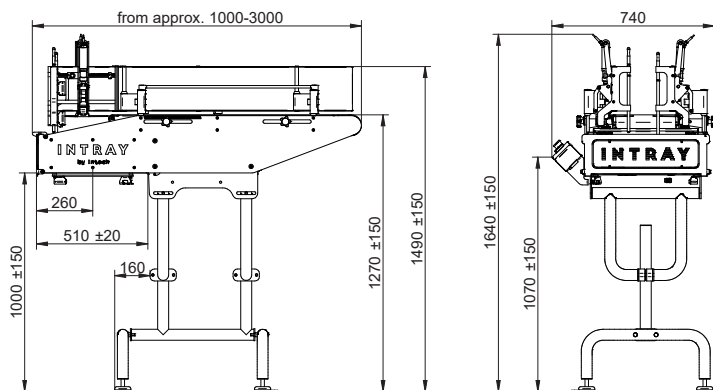
### About the product

The INTRAY Buffer Basic is ideal for steady and continuously moving production lines with speeds up to 70 trays per minute. It is made for denesting on flat belts without flights. The tray conveyor is built into the Smart Stand - saving a lot of space and provides autonomy and automatic loading of new tray stack to the denester.

Buffer Basic is delivered with a custom-made Smart Tool.

### User-friendly denester

Buffer Basic has an easy to use integrated programmable control unit and can be easily cleaned. Buffer Basic provides electrical denesting at steady speeds and a highly reliable denesting solution in a small space.



### Office

Intech International a/s  
Erhvervsparken 16  
DK-9700 Broenderslev

### Contact

T. +45 96 46 76 00  
F. +45 96 46 76 01  
E. [intech@intech.dk](mailto:intech@intech.dk)

E. [inray@intech.dk](mailto:inray@intech.dk)  
[www.inray.dk](http://www.inray.dk)

[www.intech.dk](http://www.intech.dk)