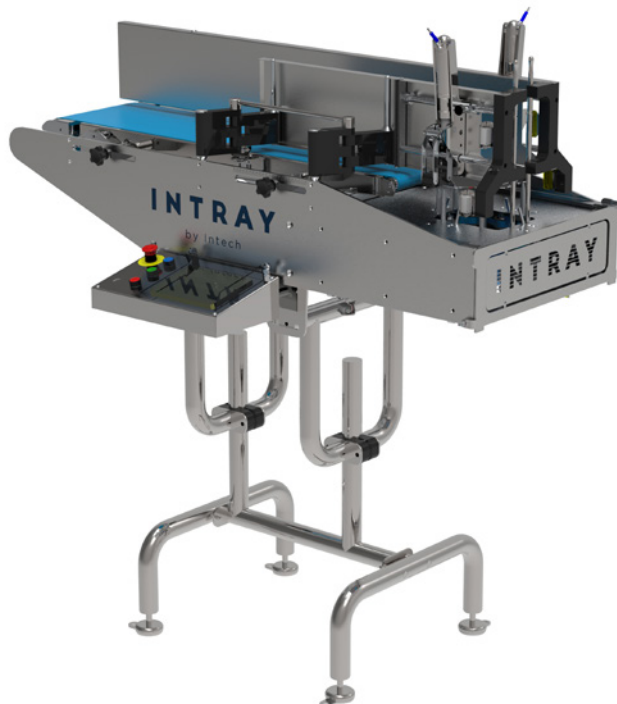


INTRAY

by Intech



INTRAY Buffer Servo

100 % ELECTRICAL SERVO DENESTER WITH INTEGRATED AUTOMATIC BUFFER OF TRAYS

Specifications

Capacity	Up to 200 trays per minute (tray depending)
Highlights	<ul style="list-style-type: none">• Quick restart at line stops and tray errors• Intelligent handling of tray faults• Backup to USB• Multiple operator access control• Create and store tray recipes• Line signal in-/output

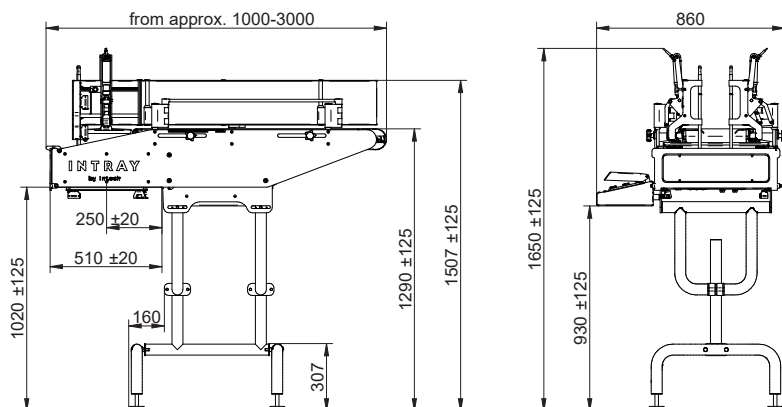
About the product

The INTRAY Buffer Servo is the ideal solution for a fast-moving production line or a line with little manpower available for tray refilling. The tray conveyor is built into the Smart Stand, which saves a lot of space and provides autonomy and automatic loading of new tray stack to the denester.

Buffer Servo is delivered with a custom-made Smart Tool.

Intelligent software

The intelligent Buffer Servo software provides automatic correction at denesting errors, which cut back on line stops and operators having to solve denesting errors.



Office

Intech International a/s
Erhvervsparken 16
DK-9700 Broenderslev

Contact

T. +45 96 46 76 00
F. +45 96 46 76 01
E. intech@intech.dk

E. intray@intech.dk
www.intray.dk

www.intech.dk