

INTRAY

by Intech



INTRAY Buffer Twin Servo

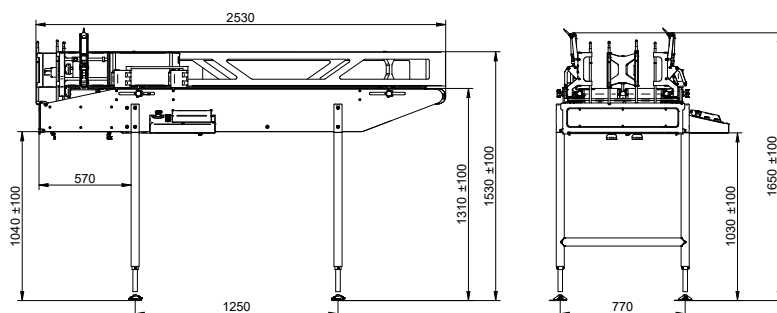
100% ELECTRICAL SERVO DENESTER FOR DENESTING OF TRAYS ON SINGLE OR DOUBLE LANE

Specifications

Capacity	200+ trays per minute (tray depending)
Highlights	<ul style="list-style-type: none">• Quick restart at line stops and tray errors• Intelligent handling of tray faults• Backup to USB• Multiple operator access control• Create and store tray recipes• Line signal in-/output

About the product

INTRAY Buffer Twin Servo is a 100% electrical servo driven tray denester. It is an ideal solution for a fast-moving production line or a line with little manpower available for tray refilling. It has two integrated tray buffer lanes with independent lane drives for each buffer lane. It can be mounted in a position of 90 or 180 degree for a conveyor. At a 90 degree position, the Buffer Twin Servo denests two trays onto the conveyor. At a 180 degree position, it denests two trays simultaneously in each direction onto the conveyors. It is delivered with a custom-made Smart Tool Twin.



Buffer Twin Servo has advanced INPRO software that automatically provides correction at denesting errors, which cut back on line stops and operators having to solve denesting errors.

Office

Intech International a/s
Erhvervsparken 16
DK-9700 Broenderslev

Contact

T. +45 96 46 76 00
F. +45 96 46 76 01
E. intech@intech.dk

E. inray@intech.dk
www.inray.dk

www.intech.dk