

# INTRAY

by Intech



## INTRAY Smart Stand Basic

100 % ELECTRICAL SERVO DENESTER - UP TO 70 TRAYS PER MINUTE

### Specifications

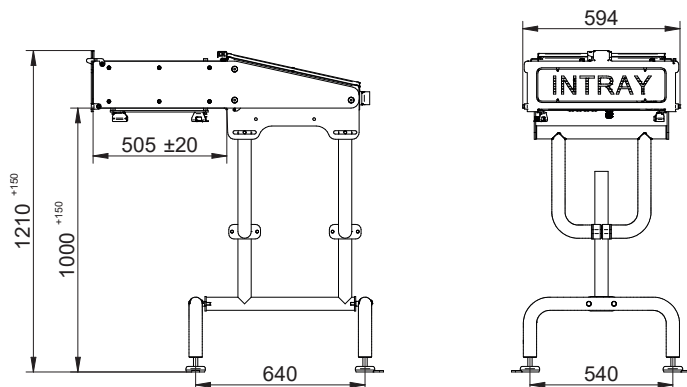
Capacity	Up to 70 trays per minute (tray depending)
Highlights	<ul style="list-style-type: none"><li>• Electrical driven denesting</li><li>• Simple controls - easy to operate</li><li>• Space-saving compact solution</li><li>• Hygienic denesting</li><li>• Designed for industrial cleaning</li><li>• Time saving tray change</li></ul>

### About the product

INTRAY Smart Stand Basic is the perfect solution for a production line with limited space and a steady flow of trays.

The Smart Stand Basic comes with a custom-made-to-tray Smart Tool. The Smart Tool can be effortlessly removed, and another placed in the INTRAY denester. The stand itself is constructed in stainless tubes, making cleaning easy.

With INTRAY Smart Stand Basic you have a denesting solution that will make unreliable manual denesting obsolete.



### Office

Intech International a/s  
Erhvervsparken 16  
DK-9700 Broenderslev

### Contact

T. +45 96 46 76 00  
F. +45 96 46 76 01  
E. [intech@intech.dk](mailto:intech@intech.dk)

E. [inray@intech.dk](mailto:inray@intech.dk)  
[www.inray.dk](http://www.inray.dk)

[www.intech.dk](http://www.intech.dk)