

INTRAY

by Intech



INTRAY Smart Stand Servo

100 % ELECTRICAL SERVO DENESTER - UP TO 160 TRAYS PER MINUTE

Specifications

Capacity	Up to 160 trays per minute (tray depending)
Highlights	<ul style="list-style-type: none">• Servo driven denesting• Space-saving compact patented solution• Hygienic denesting• Designed for industrial cleaning• Time saving tray change• Integrated programmable control unit

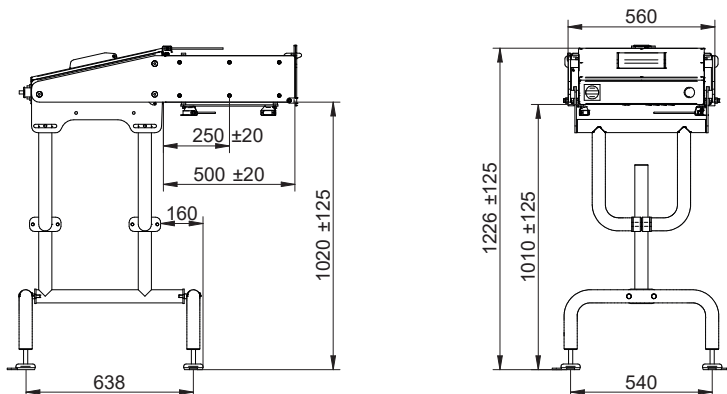
About the product

Smart Stand Servo is the perfect tray denester for a production line with limited space and a steady flow of trays.

Integrated control unit

Smart Stand Servo comes with a custom-made Smart Tool and an integrated programmable control unit.

The Smart Tool can be effortlessly removed, and another placed in the Smart Stand Servo. The stand itself is constructed in stainless tubes, making cleaning easy.



Office

Intech International a/s
Erhvervsparken 16
DK-9700 Broenderslev

Contact

T. +45 96 46 76 00
F. +45 96 46 76 01
E. intech@intech.dk

E. inray@intech.dk
www.inray.dk

www.intech.dk