

# INTRAY

by Intech



## INTRAY Tray Turner

PATENTED AUTOMATIC TRAY TURNING DEVICE

### Specifications

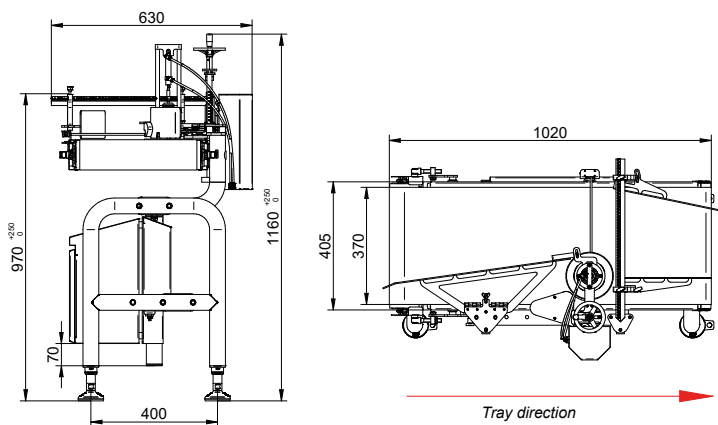
Capacity	Up to 120 trays per minute (tray depending)
Highlights	<ul style="list-style-type: none"><li>• Patented turning system</li><li>• Recipe controlled by Intray denester</li><li>• Compact length</li><li>• Conveyor driven by drum motor with frequency converter</li><li>• By-pass option</li></ul>

### About the product

The INTRAY Tray Turner is the most all-round tray turner on the market.

Complete tray turning control allows the device to gently turn the trays at high speeds, without affecting the actual product or position of the product inside the tray.

The Tray Turner can be adjusted for different tray formats and is constructed with automatic speed regulation from the denester. Tray Turner comes including a conveyor, which is driven by a drum motor. It can be used in combination with e.g., INTRAY Step Loader or INTRAY Easy Loader, but can also be integrated into existing lines as a stand-alone machine.



### Office

Intech International a/s  
Erhvervsparken 16  
DK-9700 Broenderslev

### Contact

T. +45 96 46 76 00  
F. +45 96 46 76 01  
E. [intech@intech.dk](mailto:intech@intech.dk)

E. [intray@intech.dk](mailto:intray@intech.dk)  
[www.intray.dk](http://www.intray.dk)

[www.intech.dk](http://www.intech.dk)