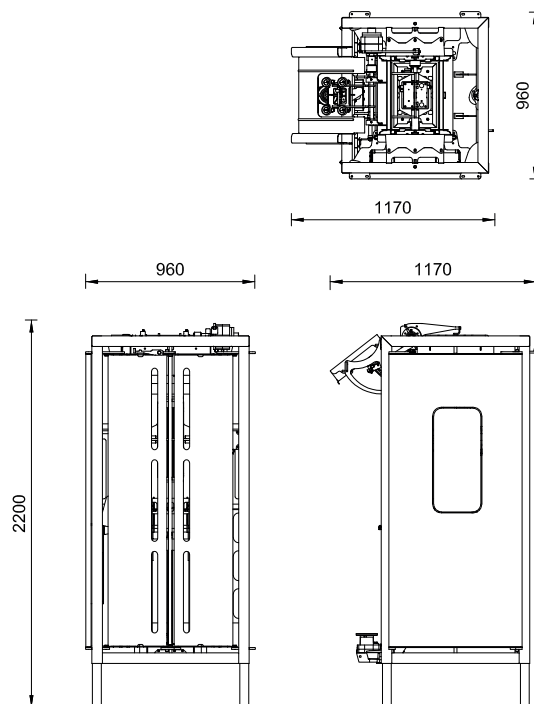




Food processing
streamlined



Box Folding Machine CT 1825

FOLDS CARTONS BOTTOMS FOR 5 KG SHELL-ON SHRIMPS

Specifications

Dimension	1170 x 960 x 2200 mm (LxWxH)
Magazine	600 flat sheets of cartons
Max	23 boxes per minute
Material	Stainless steel - glass blasted. FDA-approved materials

Technical data

Motor	Electrical
Power supply	3 x 230 V or 3 x 400 V
Power	0,25 kW
Air	550NL/minute at 6 bars

Optional extras

10 kg boxes	Fits with 5 kg lids - only double height of the box
-------------	---

About the product

CT 1825 folds lids or bottoms for 5 kg cartons for shell-on shrimps. The carton magazine is integrated in the machine. CT 1825 is designed to be integrated in an automatic line, delivering the lids/bottoms to the weighing stations. The machine delivers the folded box with the opening facing upwards and is preferred for bottom cartons. The flat sheets of carton are fed to a 600 piece magazine and conveyed to the forming unit by the pneumatic systems. They are formed by one of two pistons. The forming head folds and locks the parts without using glue. The machine is extremely user-friendly, and it is easy to change between forming lids and bottoms. This reliable machine folds perfect boxes at a high-speed capacity of up to 22-23 pieces per minute.

Office

Intech International a/s
Erhvervsparken 16
DK-9700 Brønderslev

Contact

P. +45 96 46 76 00
F. +45 96 46 76 01
E. intech@intech.dk

www.intech.dk