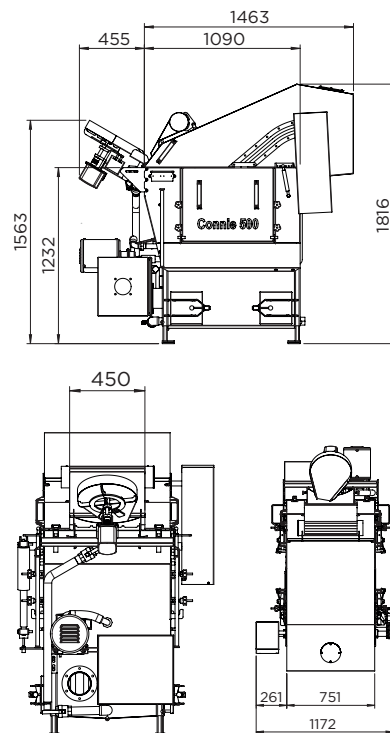




Food processing  
streamlined



# Connie 500

CONTINUOUS COOKER

## Specifications

Capacity	Up to 800 kg per hour at 3 minutes cooking
Cooking	2-7 minutes
Start-up time	Approx. 60 min. from 5° to 98° C
Steam 70 kW	125 kg/h steam at 165°C
Oil 70 kW	8 kg/h oil
Electric 75 kW	110A at 3x400V
Temperature drop in standby	Approx. 2° C per hour

## Technical data

Material	Acid-proof stainless steel AISI 316
Finish	Polished (Intech standard)
Power connection	3x220 V or 3x400 V
Net weight	Approx. 700 kg
Gross weight	Approx. 1,200 kg

**Optional extras:** Can also be used for defrosting products.

## About the product

Connie 500 is a continuous cooker. It is the smallest version in the series of Connie Cookers.

The machine boils the fresh product in an even and quick way. The continuous flow in the production process ensures that every product are cooked in exactly the same way, with the same salt content and the same taste. This provides a final product of highest quality - both visual and in terms of taste.

Connie 500 is easily cleaned due to the hygienic design and the special conveyor lifting kit.

## Office

Intech International a/s  
Erhvervsparken 16  
DK-9700 Brønderslev

## Contact

P. +45 96 46 76 00  
F. +45 96 46 76 01  
E. [intech@intech.dk](mailto:intech@intech.dk)

[www.intech.dk](http://www.intech.dk)