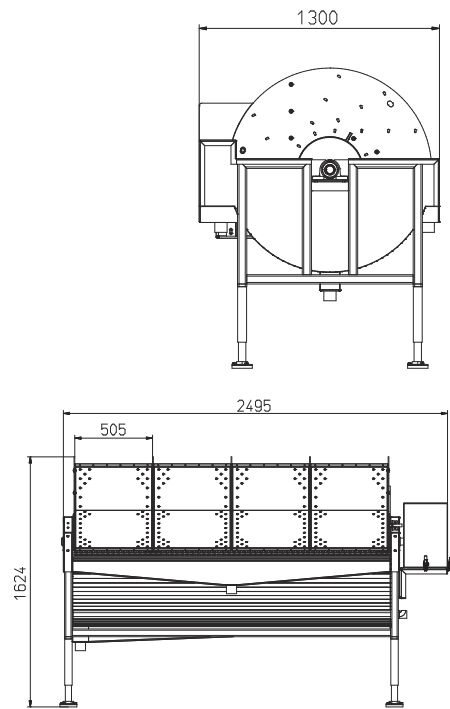




Food processing  
streamlined



# Fish Washer - rotating

ENSURES A MORE EFFECTIVE WASHING

## Specifications

Standard section width	C-C = 505 mm (available in a 600 and 700 mm at request)
Infeed height	1234 mm +/- 100 mm
Discharge height	970 mm +/- 100 mm

## Technical data

Voltage	400 V - 50Hz - 5 Amp.
Water supply	1½" - female thread
Drain	3 pieces 2" sockets - female tread

## About the product

This fish washer is shown with 4 sections/grades. It can be supplied with more or less sections according to customer request.

When the fish washer is connected to water in sufficient quantity and pressure, bubbles are generated by the integrated flow-venture-system which provides a more efficient and effective wash of the fish.

The fish washer is delivered with control located on the side of the machine and with these features:

- Switch for main power
- Emergency stop
- Start/stop
- Revers - dead man's function
- Time relay for modification of wash time depending on the fish type

## Office

Intech International a/s  
Erhvervsparken 16  
DK-9700 Brønderslev

## Contact

P. +45 96 46 76 00  
F. +45 96 46 76 01  
E. [intech@intech.dk](mailto:intech@intech.dk)

[www.intech.dk](http://www.intech.dk)