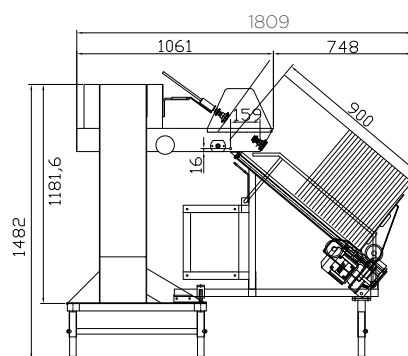
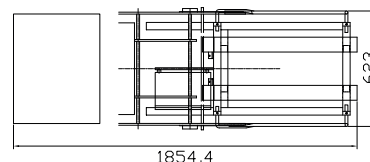




Food processing
streamlined



Seaward Box Folding Machine

FOR 5 KG SHRIMP BOXES

Specifications

Dimensions	1260x1005x1550 mm (LxWxH)
Weight	120 kg net
Size of magazine	4-6" stack height
Production capacity	20-30 sheets per minute

Technical data

Air connection	1/4" snap connection
Working air pressure	3-6 bar
Air consumption, max.	200 liters per minute at 6 bar
Power supply	AC 100-240 V - 50/60Hz - DC 12/24 V

About the product

The Seaward 5 kg box folding machine is pneumatically operated. It can fold boxes for 5 kg shrimp boxes.

The box folding machine can be adjusted to handle only bottoms or lids, but with small adjustments it can also handle both.

Office

Intech International a/s
Erhvervsparken 16
DK-9700 Brønderslev

Contact

P. +45 96 46 76 00
F. +45 96 46 76 01
E. intech@intech.dk

www.intech.dk