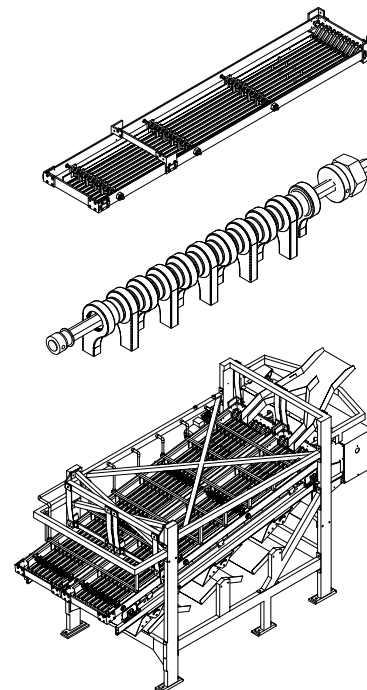
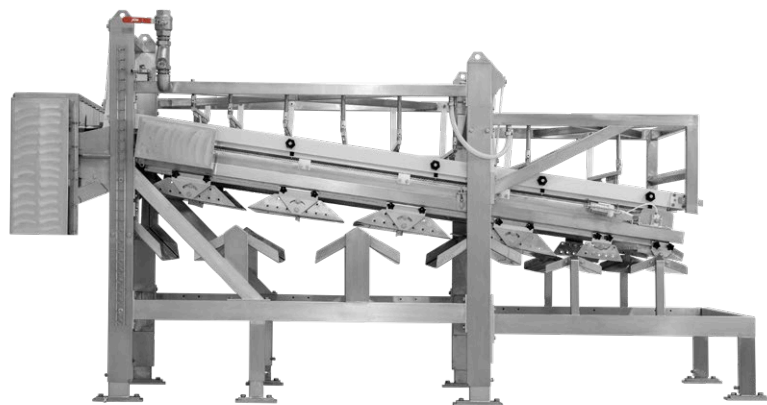




Food processing
streamlined



Shrimp Grader CT 1014

DESIGNED WITH LIFELONG BASIC ADJUSTMENTS

Specifications

Dimensions (LxWxH)	Short version: 3500x1370x1850 mm Long version: 3900x1370x1850 mm
Weight	Short version: Approx. 750 kg Long version: Approx. 900 kg
Capacity	1000-1250 kg per hour
Material	Stainless steel AISI 304, PEHD, POM, seawater-proof aluminum
Number of grades	3-7 grades depending on version

Technical data

Power and hydraulic	3x400/440 V, 50/60 Hz, 2 kW, 5 A 1x230 V, 50/60 Hz, 0,4 kW, 2 A
Motor power	1,5 kW
Water consumption	12,5-15 m3 pr hour at 4 bar
Water connection	2"

Optional extras

Turnable feeding chute, double chute for direct feeding, return flow chute in connection with turnable chute for improved distribution on the shaker grids.

About the product

A new design of the quick adjustment system eliminates the need for basic adjustment. This is now done at our factory and it cannot be lost. You only have to make adjustment according to the sorting sizes.

There is thus no need for Allen keys or hammer. Now you just use the key at the side when adjusting the desired size.

This ingenuity focuses on further development and leads to valuable results such as a significantly prolonged life of the clamping.

Office

Intech International a/s
Erhvervsparken 16
DK-9700 Brønderslev

Contact

P. +45 96 46 76 00
F. +45 96 46 76 01
E. intech@intech.dk

www.intech.dk