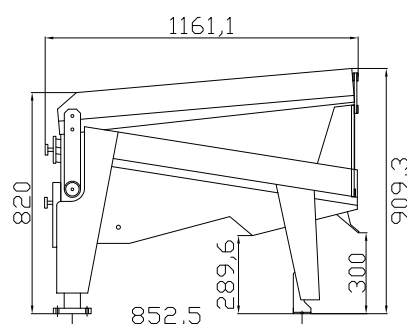
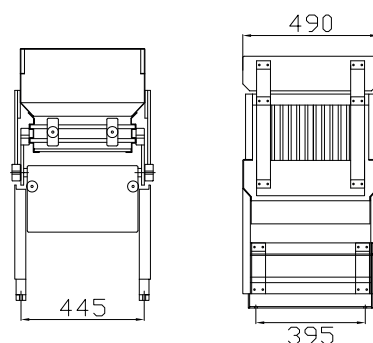




Food processing
streamlined



Shrimp Grader RS 24

COMPACT AND RELIABLE

Specifications

Dimensions	Approx. 1160x490x900 mm (LxWxH)
Weight	Approx. 60 kg
Capacity	Approx. 500-1000 kg per hour
Material	Seawater-proof aluminum
Number of grades	2 size grades 1 scrap / waste

Technical data

Power supply	24V DC 230 / 380 / 400 / 440 V
Power consumption	Approx. 100 W

About the product

The shrimp grader is compact and almost noiseless. It has high capacity, operational reliability and very limited maintenance requirements. The grader is equipped with four grading grids placed in two levels above each other. In this way, the shrimps are sorted twice in one single working cycle resulting in a very accurate size grading. Change of the size grading is done simply by shifting to a grading grid with more or less space between the grids - an operation which is done in less than one minute. As the shrimp grader is very flexible, compact and has low own weight, it is specially suited for installation on board all kinds of watercraft - from the small fishing boats to the huge ocean-going trawlers.

Office

Intech International a/s
Erhvervsparken 16
DK-9700 Brønderslev

Contact

P. +45 96 46 76 00
F. +45 96 46 76 01
E. intech@intech.dk

www.intech.dk