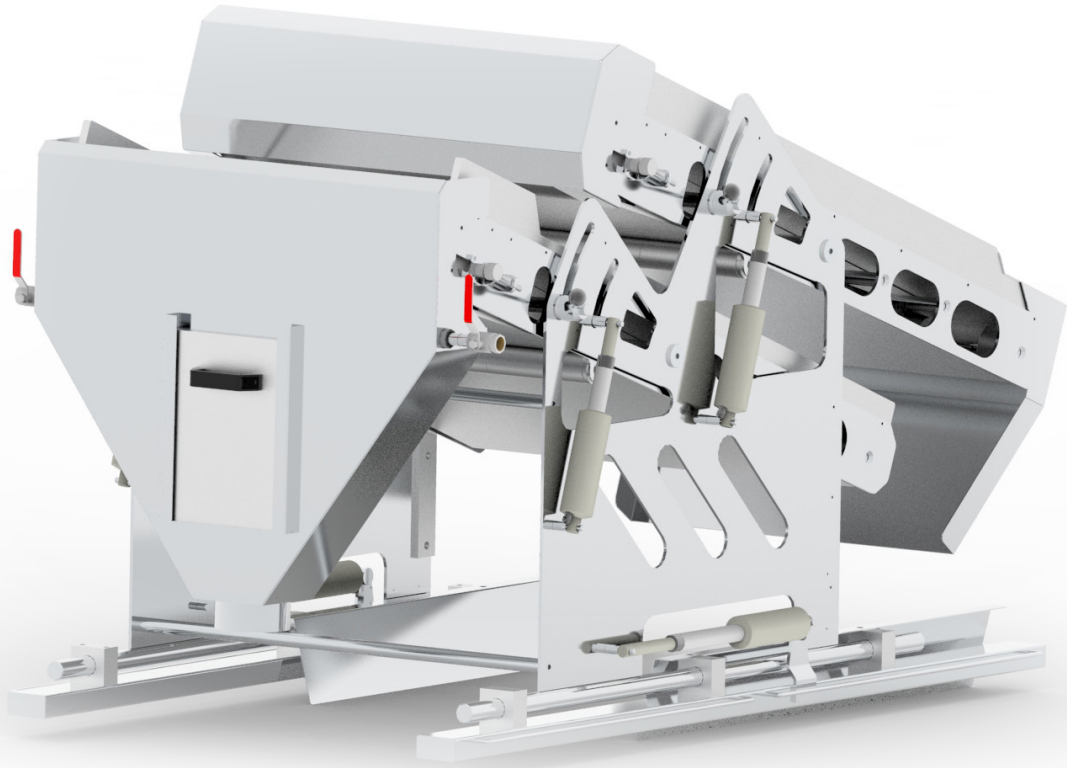




Food processing  
streamlined



# Upgrade your Bycatch Separator

EASE YOUR EVERYDAY LIFE AND SAVE TIME WITH EFFECTIVE UPGRADE

## Fewer spare parts

Upgrade your model of Intech Bycatch Separator and gain many benefits:

- Fewer spare parts
- Smaller stock of spare parts
- Easier to replace wear parts
- Takes up less space
- Better access around the machine

## Switch to drum motor

Bycatch separator with gear motor can be replaced with drum motor with great

advantages, as you no longer need spare parts like gears, bearings and shafts. The replacement saves you time and generally facilitates maintenance.

Also, we have improved the support of the conveyors on the bycatch separator, which means they get less worn.

## Upgrade today and save time

Contact CSO René Hagelskær on phone +45 42 36 87 19 or at [rha@intech.dk](mailto:rha@intech.dk) for ordering or further information.

### Office

Intech International a/s  
Erhvervsparken 16  
DK-9700 Broenderslev

### Contact

P. +45 96 46 76 00  
F. +45 96 46 76 01  
E. [intech@intech.dk](mailto:intech@intech.dk)

[www.intech.dk](http://www.intech.dk)